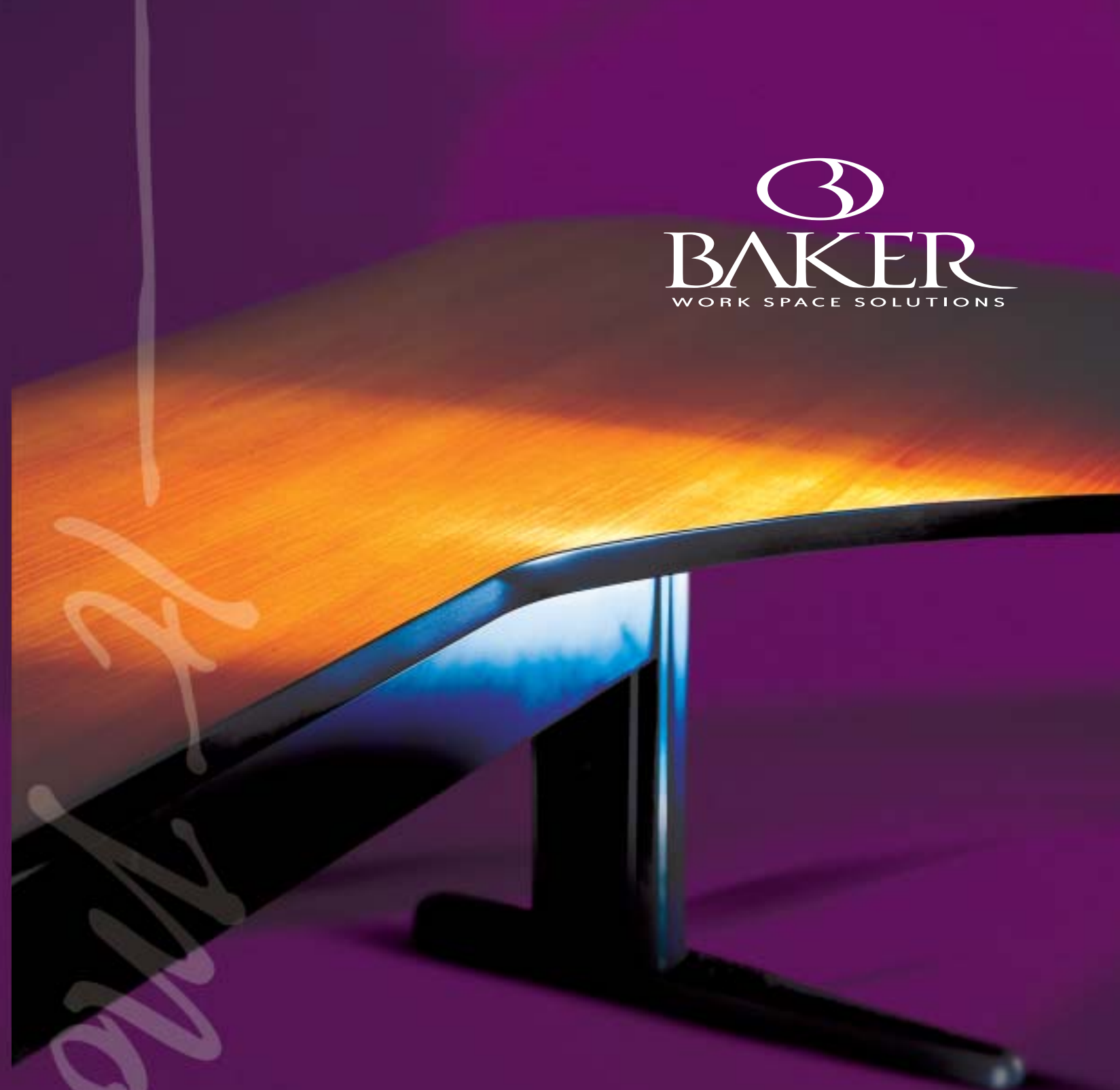




ZYDECO *It Moves*
Adjustable Work Environments



Baker Manufacturing Company, Inc.
75 Wadley Street
Pineville, LA 71360
Toll free (888) 512-7036
Telephone (318) 445-7036
Fax (318) 443-7856
www.bakermanufacturing.com

BZ-0101

ZYDECO

corner | extended corner | straight | workcenter | system



Your work flow can be *fluid*.
Your work surfaces can reflect the
natural *rhythm* and *harmony*
of ergonomics. Your productivity can
move to a different beat.

For generations, the festive pulse of Zydeco music has filled the lives of many different cultures. Drawing upon a wealth of influences including blues, rock and reggae, Zydeco is a true reflection of its surroundings. Its heart pounding rhythm is an integral part of the fabric that shapes our world. As the French speaking people of South Louisiana often say, "Zydeco music moves with life itself!"

So does the exciting Zydeco product line. Baker ergonomic tables move with your life and adjust to your work flow, keeping office environments healthy and productive.

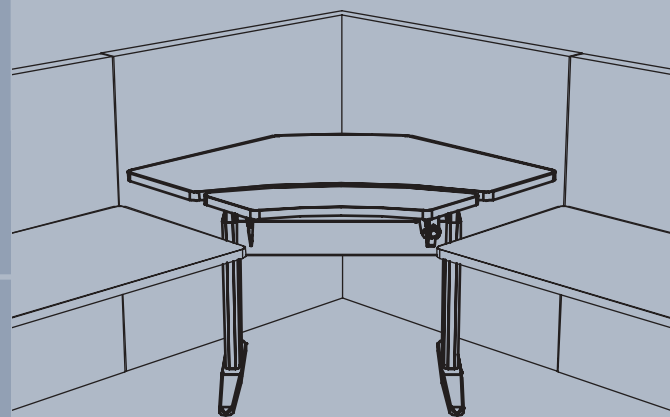
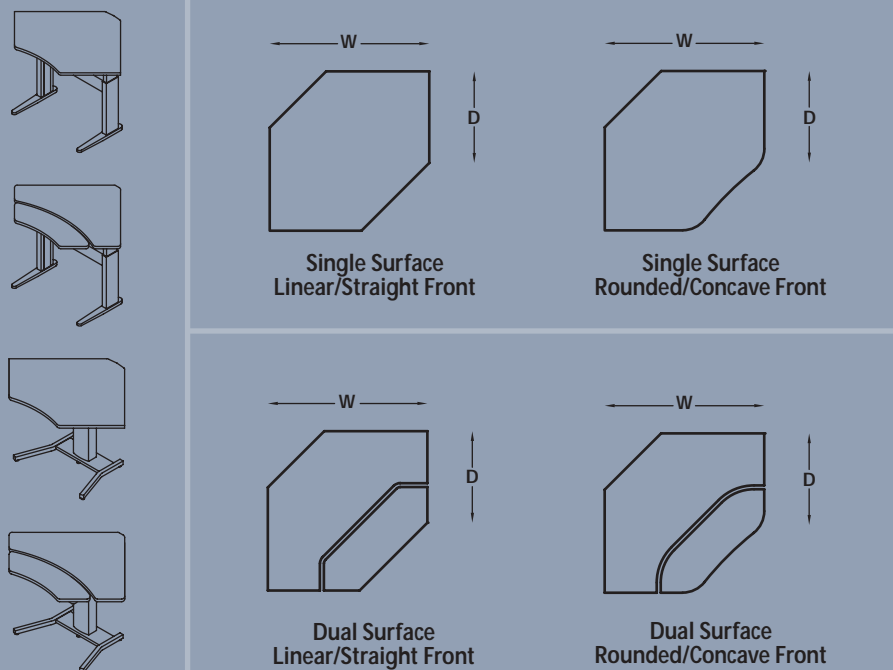
Raise the tempo of your work space with Zydeco Adjustable Tables.

It Moves



The corner table solution

The Zydeco corner table's freestanding design easily integrates into panel systems with cantilevered side surfaces or private office applications. The corner table with torsion mechanism is ideal for quick adjustment, maximizing open floor plans, utilizing wasted corner space and improving user comfort. The simple addition of Baker adjustability to any work space enhances employee spirit, performance and productivity.



corner table

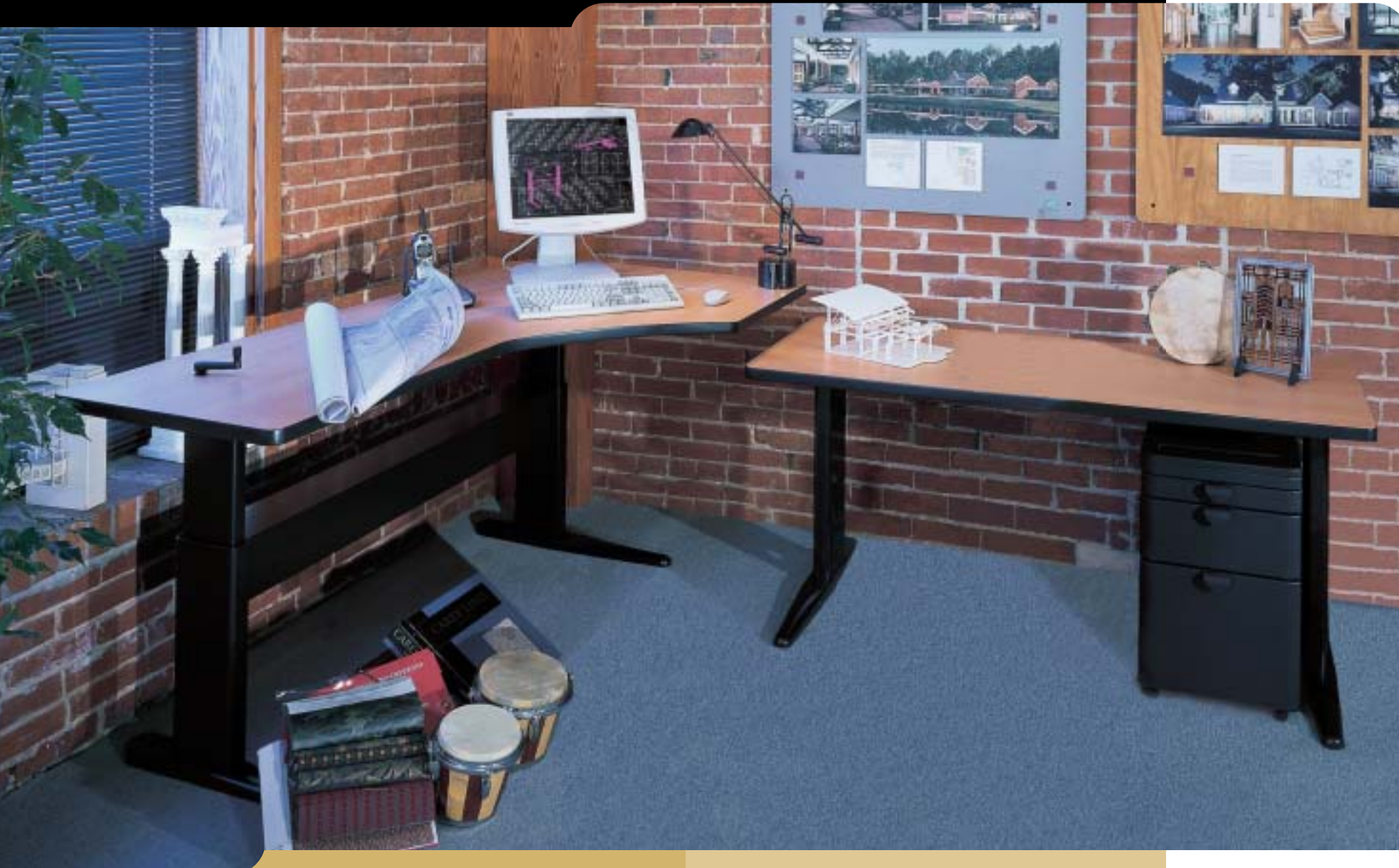
Standard tops and dimensions shown.
Custom designs available to meet your specific needs.

design notes

- Bases available in electric, torsion, crank, pin or fixed height.
- Work surfaces available as single or dual surfaces.
- Height adjustment range supports seated or sit to stand positions.
- Seated adjustment range is 22" to 35".
- Sit to stand adjustment range is 27" to 45".
- Fixed height tables at 28.5".
- Keyboard surfaces adjust 5" up and 5" down and tilt 15° forward and 15° backward.

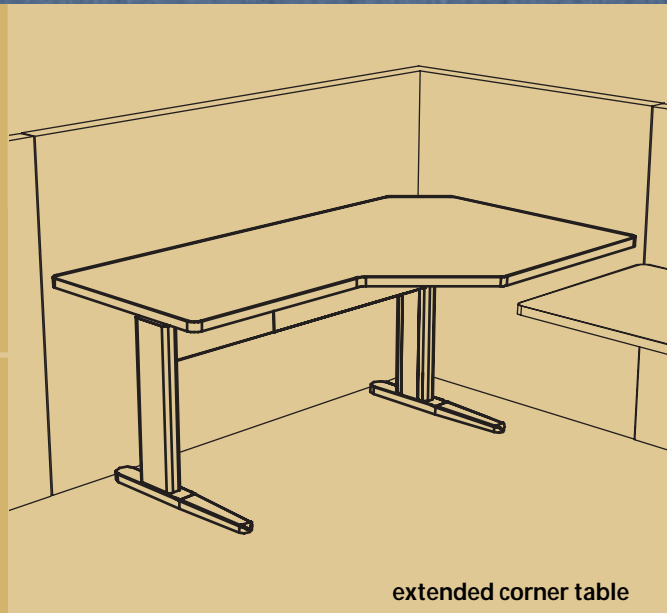
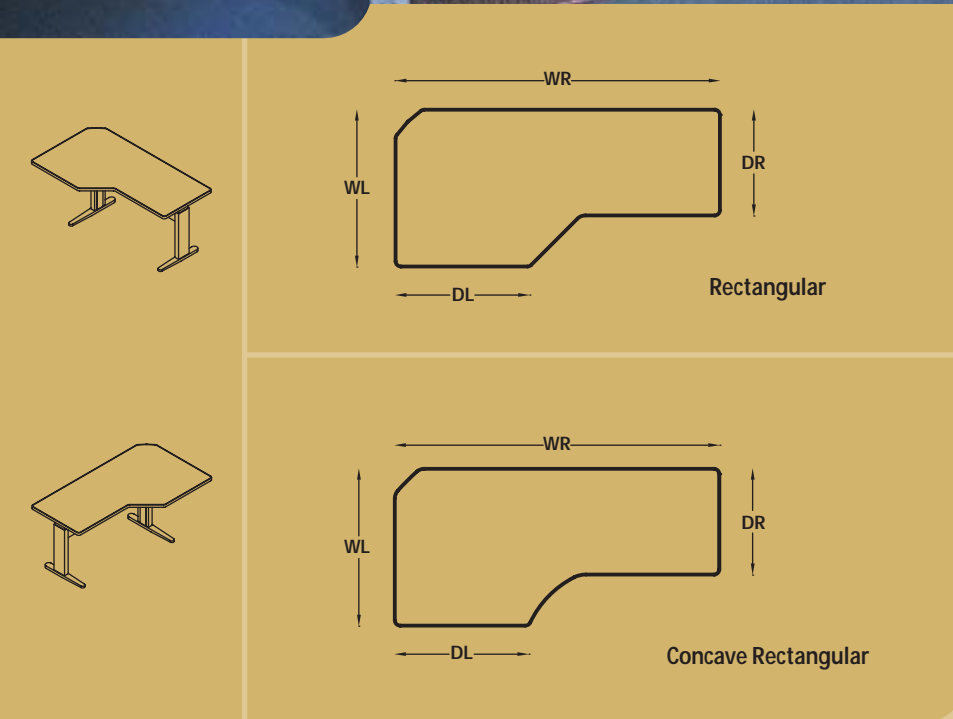
Electric -	Single surface table supports 250 pounds. Dual surface table supports 250 pounds.
Single - Pedestal Electric	Single surface table supports 150 pounds. Dual surface table supports 150 pounds.
Torsion -	Single surface table supports 170 pounds. Dual surface table supports 150 pounds.
Crank -	Single surface table supports 250 pounds. Dual surface table supports 250 pounds.
Pin -	Single surface table supports 400 pounds. Dual surface table supports 400 pounds.
Fixed -	Single surface table supports 400 pounds. Dual surface table supports 400 pounds.





The extended corner table solution

The popular combination of corner and straight tables led Baker to develop an extended corner table. By replacing two work surfaces, the extended corner is a practical answer when retrofitting existing spaces or in new office applications. The choice of any single surface Baker table makes even more sense when combined with flat screen monitors, some of which have their own adjustability. And in situations where workers remain seated for most of the day, crank mechanisms are an ideal option for users to adapt environments to meet their specific needs. Along with user adjustable tables, Baker offers maintenance adjustable pin tables and fixed height tables, allowing for full depth pedestals.



Standard tops and dimensions shown. Custom designs available to meet your specific needs.

design notes

- Bases available in electric, torsion, crank, pin or fixed height.
- Work surfaces available in single surface only.
- Height adjustment range supports seated or sit to stand positions.
- Seated adjustment range is 22" to 35"
- Sit to stand adjustment range is 27" to 45"
- Fixed height tables at 28.5"

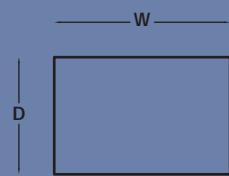
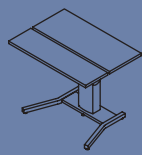
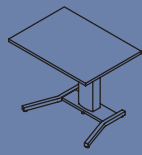
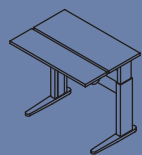
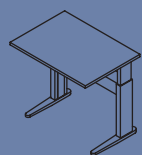
- Electric** - Single surface table supports 250 pounds.
- Torsion** - Single surface table supports 170 pounds.
- Crank** - Single surface table supports 250 pounds.
- Pin** - Single surface table supports 400 pounds.
- Fixed** - Single surface table supports 400 pounds.



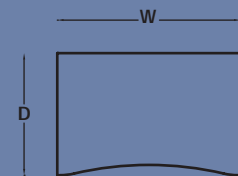


The straight table solution

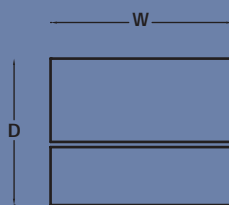
The straight table has long been the cornerstone of the office furniture industry. As part of either closed office or panel system applications, this Baker classic combines flexibility with value. The straight table with torsion mechanism glides easily throughout its entire range of adjustment in mere seconds, making it ideal for teaming atmospheres and call centers. As with all Baker adjustable tables, user comfort, health and productivity are always at your fingertips.



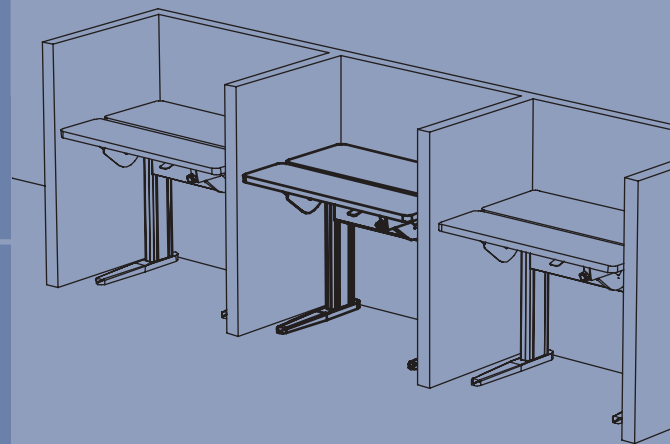
Single Surface
Linear/Straight Front



Single Surface
Rounded/Concave Front



Dual Surface
Linear/Straight Front



straight table

Standard tops and dimensions shown.
Custom designs available to meet your specific needs.

design notes

- Bases available in electric, torsion, crank, pin or fixed height.
- Work surfaces available as single or dual surfaces.
- Height adjustment range supports seated or sit to stand positions.
- Seated adjustment range is 22" to 35".
- Sit to stand adjustment range is 27" to 45".
- Fixed height tables at 28.5".
- Keyboard surfaces adjust 5" up and 5" down and tilt 15° forward and 15° backward.

Electric - Single surface table supports 250 pounds.
Dual surface table supports 250 pounds.

Single - Pedestal Electric - Single surface table supports 150 pounds.
Dual surface table supports 150 pounds.

Torsion - Single surface table supports 170 pounds.
Dual surface table supports 150 pounds.

Crank - Single surface table supports 250 pounds.
Dual surface table supports 250 pounds.

Pin - Single surface table supports 400 pounds.
Dual surface table supports 400 pounds.

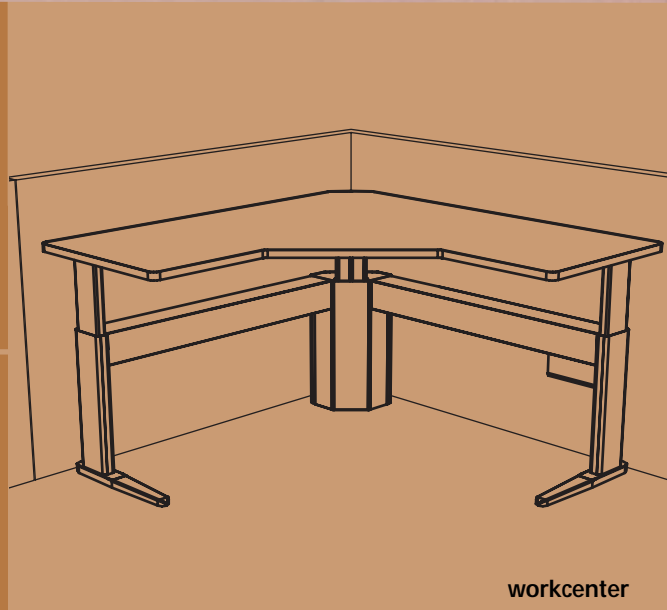
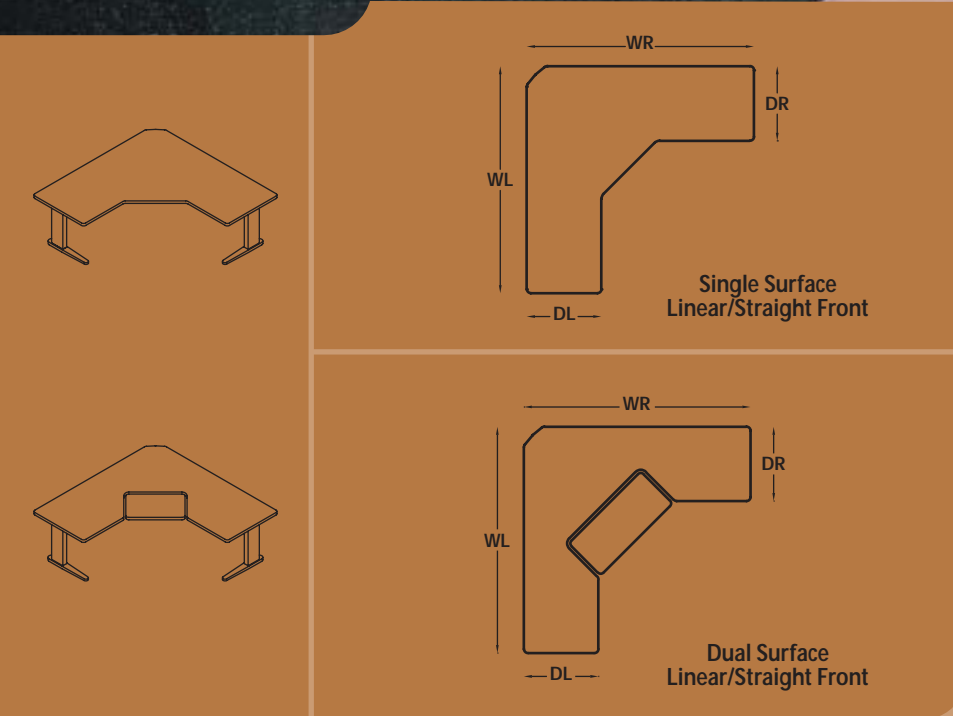
Fixed - Single surface table supports 400 pounds.
Dual surface table supports 400 pounds.





The workcenter solution

The Zydeco workcenter realizes full work surface adjustment at the flip of a switch. Its unique engineering and ergonomic design is tailor made for office applications requiring multiple monitors or larger work surfaces. All Baker electric tables move through their range of adjustment with little user effort, creating a healthy, fluid atmosphere in which to work. The quiet, low amperage motor in all Baker electric mechanisms, is designed for minimal demand on office power supplies and is a UL recognized component.



Standard tops and dimensions shown.
Custom designs available to meet your specific needs.

design notes

- Base available in electric.
- Base available in crank by special request.
- Work surfaces available as single or dual surfaces.
- Height adjustment range supports seated or sit to stand positions.
- Seated adjustment range is 22" to 35".
- Sit to stand adjustment range is 27" to 45".
- Fixed height tables at 28.5".
- Keyboard surfaces adjust 5" up and 5" down and tilt 15° forward and 15° backward.

Electric - Single surface table supports 250 pounds.
Dual surface table supports 250 pounds.



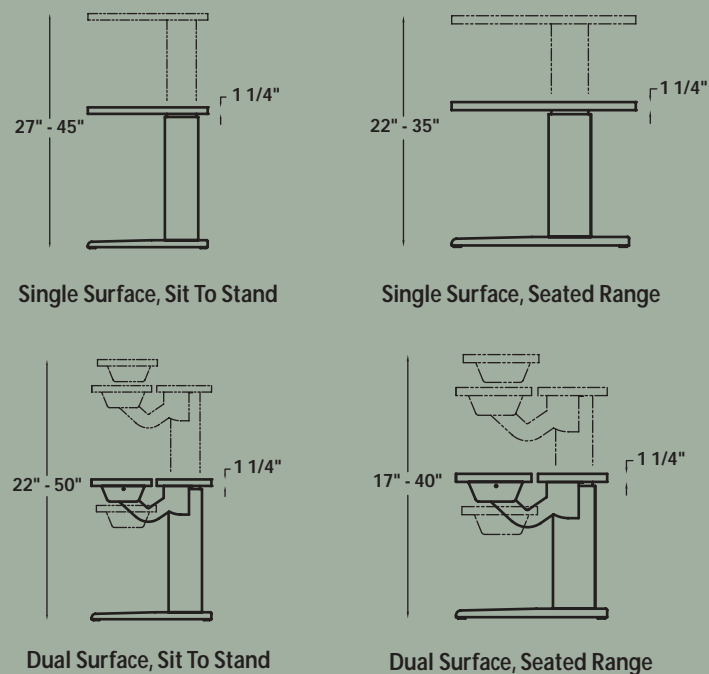
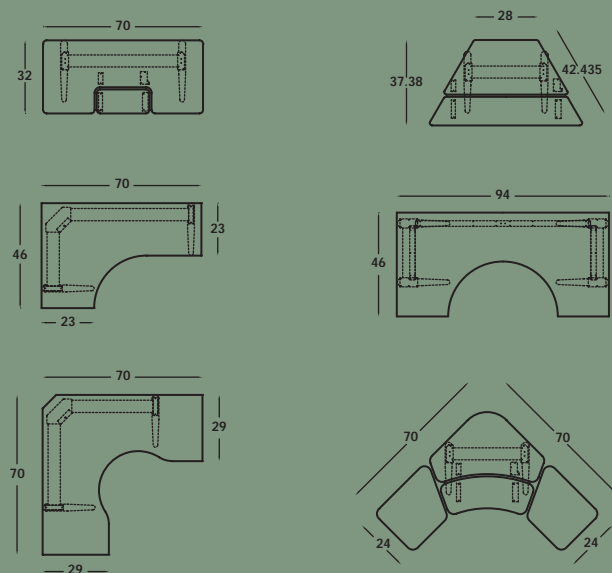


The Zydeco system solution

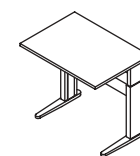
Fitting a Zydeco table into your office is quite simple. First, determine your functional needs and space requirements. Next, consider which top shape and size best fit your application. Choose from a wide variety of work surfaces, dimensions and adjustment mechanisms to create the exact table or table combination for each area in the office. We also offer custom designs to meet the needs of more unique office applications. Baker partners are available to help determine a Zydeco workspace solution that will resonate with your work.

quick planning guide

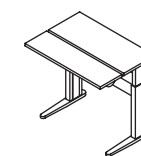
custom design



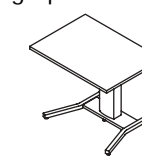
straight single surface



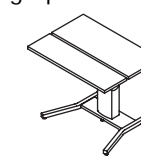
straight dual surface



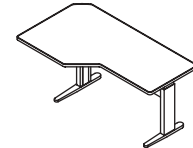
straight single surface
single pedestal electric



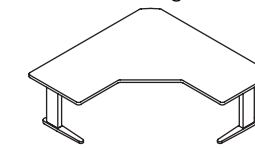
straight dual surface
single pedestal electric



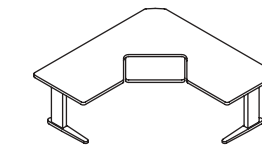
extended corner



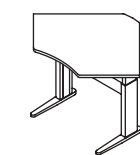
workcenter single surface



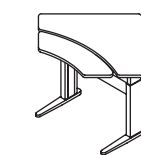
workcenter dual surface



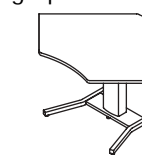
corner single surface



corner dual surface



corner single surface
single pedestal electric



corner dual surface
single pedestal electric

