



Morley

KEILHAUER

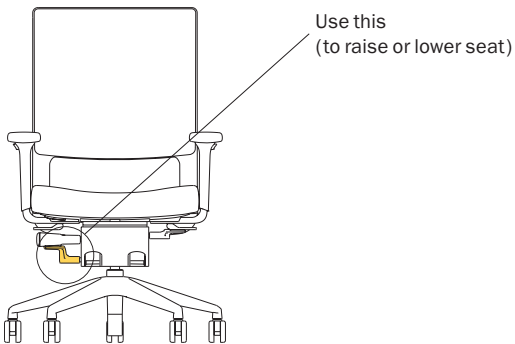
1450 Birchmount Road, Toronto, Ontario, Canada M1P 2E3
tel 416 759 5665 fax 416 759 5723 1 800 724 5665
www.keilhauer.com info@keilhauer.com



Sit down. Please.
The only way to know
if you are adjusting
your chair to provide
you with maximum
comfort, is to make
these adjustments
while you are seated.



1. Seat Height Adjustment



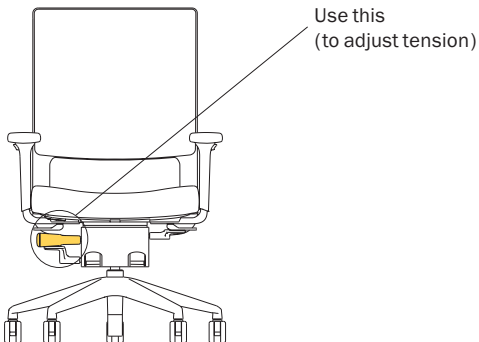
Use the paddle shaped lever on the right side underneath the seat

To raise lift your weight off the seat while lifting the front of the lever

To lower sit on the seat while lifting the front of the lever



2. Tension Adjustment



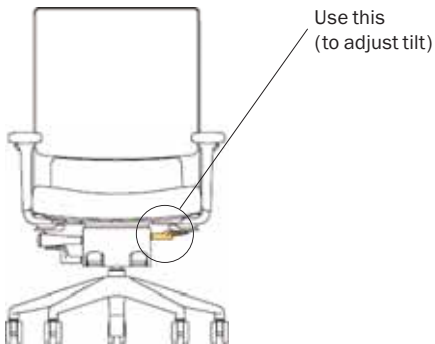
Use the big round knob under the front right of the seat

To increase tension pull out the knob and turn it towards the front of the chair

To decrease tension pull out the knob and turn it towards the rear of the chair



3. Tilt Lock



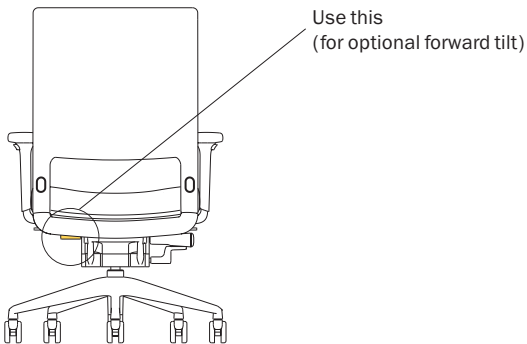
Use the paddle shaped lever on the left side underneath the front of the seat

To unlock the tilt push the front of the lever down and tilt back slightly

To lock tilt recline to your desired position and pull the front of the lever up



4. Forward Tilt (Optional)

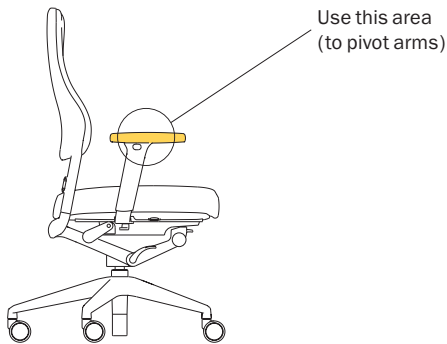


Use the button on the left side of the chair underneath the back of the seat

Push the button in and pull up or push down on the rear of the seat



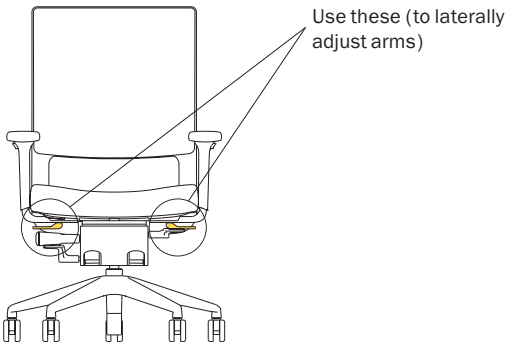
5. Arm Adjustment



Grasp the arm pad firmly and pivot the pad in or out or front to back to reach the desired position (there are no buttons to push)



6. Lateral Arm Adjustment



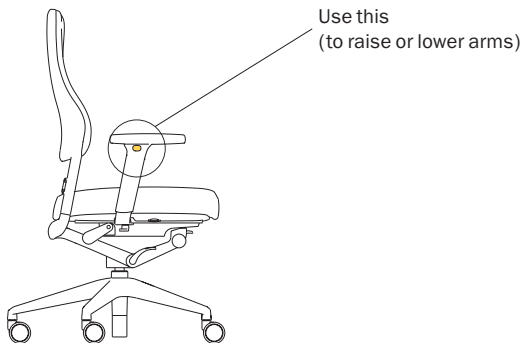
Use the lever located under the arm, underneath the chair

Push the lever down and adjust the arm in and out to the desired position

Pull up the lever up to lock the arm into position



7. Arm Height Adjustment

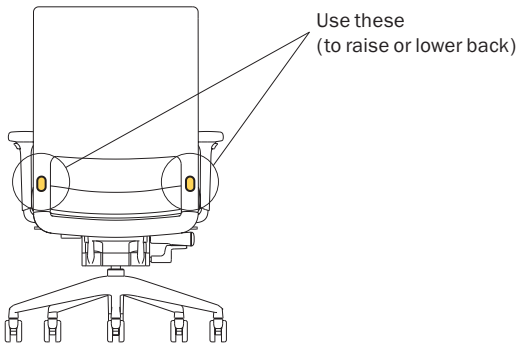


Use the buttons on the outside of the armrests

To raise or lower push the button in and raise or lower the armrest and release button to lock



8. Back Height Adjustments



Use the buttons located on the lower outside back of the chair
Press both buttons simultaneously to raise and lower the back
Release the buttons to lock back at the desired height



9. Sliding Seat Pan



Use the button located underneath the seat on the right hand side between the arm and the seat height adjustment paddle

Press the button to activate the sliding seat pan and slide your seat forwards, release the button to lock the seat into the desired depth. Press the button again and slide backwards to return to the start position

