

# Herman Miller International Collection™

Prices effective August 4, 2008

<b>Introduction</b>	<b>page 2</b>
<b>Lounge Seating</b>	<b>3</b>
Tato, Tatino, Tatone	5
Tato, Tatino, Tatone Replacement Cover	6
Capri Chair	7
Mr. Nilsson Sofa	8
Liza Bench	9

---

**Appendices**

To view and/or print price book appendices, go to [www.HermanMiller.com](http://www.HermanMiller.com), select "All products," then "Pricing information," and choose a product category.

---



# Introduction

## A Note on the Organization of This Book

There are a few signals that will help you understand the organization of this book. Once you know them, you should be able to find your way around easily.

### Like a newspaper, this book is formatted with columns of text and illustrations that run vertically.

Information wraps from one column to the next and continues for as many pages as it needs to.

### Black bars are clues.

A black bar at the top of a page signals the start of information about a product.

This information is divided into two sections, each signaled by a black bar. Product Information includes a description, additional notes, and dimensional drawings. Specification Information, which always begins at the top of a column, includes a series of steps. Each step represents a decision you need to make in order to complete your product number. Steps must be followed sequentially. The number of pages needed to complete information on a product varies; some will be complete in one page; others may fill three or four pages. Just continue going through the steps until you run into the next product, signaled by the black bar at the top of the page.

Black tabs running along the outside edge of the page help you locate what section you are in or what section you want to go to. You can thumb forwards or backwards to find a section; tabs and text appear on both sides of the page.

The additional pages in the back of the book include the appendices and indices. They are signaled by a long black bar running along the outside edge of the page.

### The index is presented two ways.

The first index is in alphabetical order by product name. It can be helpful if you are new to the products and numbering scheme or if you are looking for a type of product, such as work chair or round table.

The second index is by product number. It lists, in alphanumeric order, the base product number, typically a five-digit number.

## General Information

This book is effective August 4, 2008, subject to change without notice. Products may be purchased from authorized Herman Miller dealers who will quote prices upon request. For more information about our products and services or to see a list of dealers, visit [www.HermanMiller.com](http://www.HermanMiller.com).

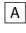
All prices are list prices. Additional services, such as planning services, design, storage, and installation, are not included and must be added to these prices when the additional services are requested.

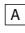
Illustrations, specifications, and prices are based on the latest information at the time of publication. The right is reserved to make changes at any time without notice in prices, fabrics, finishes, materials, specifications, and models, and also to discontinue models and finishes.

Dimensions shown in the drawings are engineering drawing dimensions rounded up to the nearest  $\frac{1}{8}$ ". Product is shipped set up or knocked down. Products that include "Shipped knocked down" in the description require some assembly. If this statement does not appear in the description, the product is shipped assembled.

Service problems are normally handled by a Herman Miller authorized dealer. Where this cannot be accomplished on a local level, service problems should be referred to the Customer Care Representative for your region, Herman Miller, Inc., Zeeland, Michigan 49464.

### 20-Day or Less/Assigned Lead-Time Shipments

All products and options in this price book not designated by an Assigned Program icon  will ship in **20 business days or less** after being acknowledged by Herman Miller.

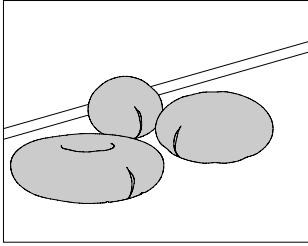
Products and options designated by an  are on the assigned lead-time program and may ship in 20 days, less than 20 days, or more than 20 days from order acknowledgement.





# Tato, Tatino, Tatone

RTDS8  
RTED8



### Product Information

#### Description

This fabric seating product offers a flexible seat with a rigid black-plastic stabilizing base. It has a hard Styrofoam internal structure surrounded by a soft, reforming padding. It is available in 3 shapes and has a cover made of removable stretch fabric.

#### Notes

Shapes are as follows:

Product Number—Shape

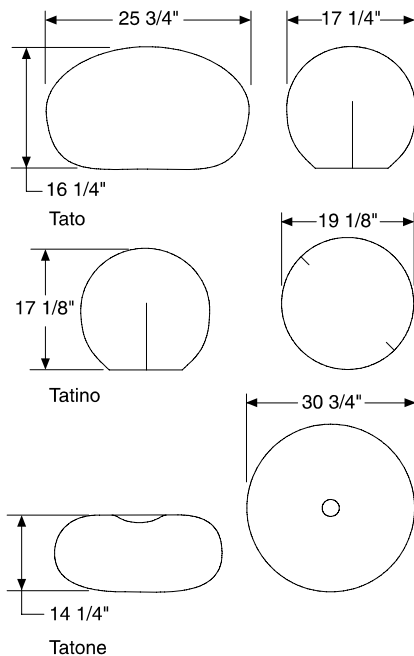
RTDS855—Egg (Tato)

RTED860—Spherical (Tatino)

RTED870—Bagel (Tatone)

Replacement covers can be ordered separately.

#### Dimensions



### Specification Information

#### Step 1.

RT  A

#### Step 2. Shape

DS855 tato  A

ED860 tatino  A

ED870 tatone  A

#### Prices for Steps 1-2.

RTDS855	\$733
RTED860	\$641
RTED870	\$1171

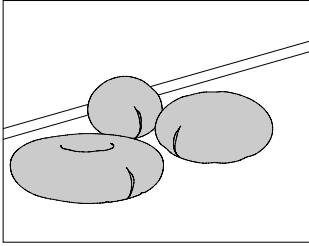
#### Step 3. Fabric

See *International Collection Textile Colors* for fabric line and fabric color.

Price Category IA +\$0

Tato, Tatino, Tatone Replacement  
Cover

RTDS8  
RTED8



International Collection Lounge Seating

**Product Information**

Description

This stretch fabric replaces an existing Tato, Tatino, or Tatone cover.

Notes

Specify replacement cover shape to match seat shape.

**Specification Information**

Step 1.

RT  A

Step 2. Application

**DS855C** tato cover  A

**ED860C** tatino cover  A

**ED870C** tatone cover  A

Prices for Steps 1-2.

<b>RTDS855C</b>	\$213
<b>RTED860C</b>	\$193
<b>RTED870C</b>	\$276

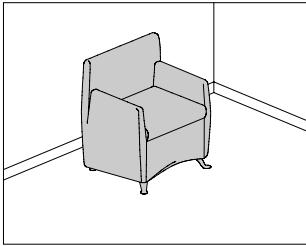
Step 3. Fabric

See *International Collection Textile Colors* for fabric line and fabric color.

Price Category IA + \$0

# Capri Chair

RTHW6



### Product Information

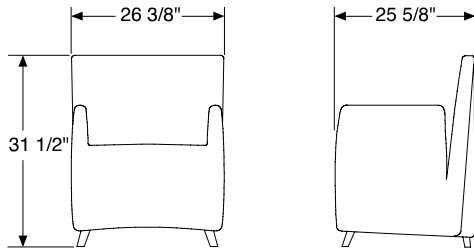
#### Description

This armchair has steel tubes, seat and back padding, and a reclining back. It can be specified in vinyl, fabric, or leather. The chair has 2 aluminum front feet and 3 concealed rear swivel casters.

#### Notes

2 additional casters are included, which can be used in place of the aluminum front feet.

#### Dimensions



### Specification Information

#### Step 1.

**RTHW624** A \$2670

#### Step 2. Fabric

*See International Collection Textile Colors for fabric line and fabric color.*

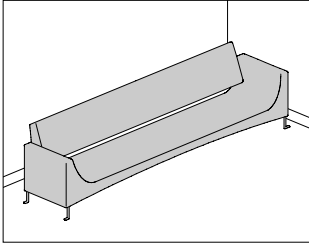
Price Category IA +\$0

Price Category IC +\$125

Price Category II +\$2164

Mr. Nilsson Sofa

RTONI



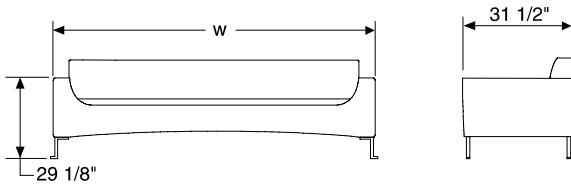
International Collection Lounge Seating

**Product Information**

**Description**

This 1-piece sofa has a poplar and steel frame, polyurethane padding, and varnished aluminum feet. It is covered in fabric or leather.

**Dimensions**



**Specification Information**

**Step 1.**

**RTONIL**  A

**Step 2. Width**

**180** 70<sup>7</sup>/<sub>8</sub>" wide  A

**210** 82<sup>3</sup>/<sub>4</sub>" wide  A

**240** 94<sup>1</sup>/<sub>2</sub>" wide  A

**Prices for Steps 1-2.**

<b>RTONIL 180</b>	\$7621
<b>210</b>	\$8225
<b>240</b>	\$8752

**Step 3. Fabric**

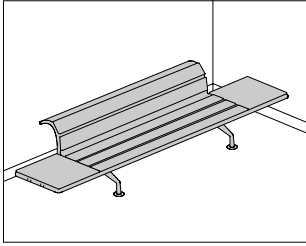
See *International Collection Textile Colors* for fabric line and fabric color.

	<b>180</b>	<b>210</b>	<b>240</b>
Price Category IA	+\$0	0	0
Price Category II	+\$985	1100	1213



# Liza Bench

RTL2T  
RTL3T  
RTL4T  
RTLB2  
RTLB3  
RTLB4

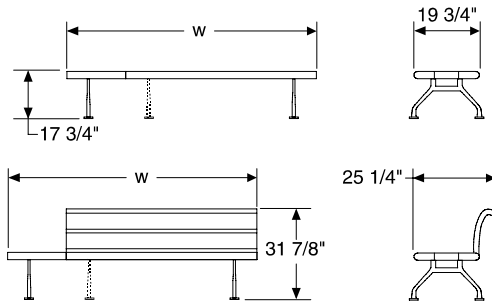


## Product Information

### Description

This bench is constructed from anodized aluminum with die-cast legs. It is available with or without a back and can be specified with 1 or 2 side tables. The bench and side tables are available in a painted finish or cherrywood veneer.

### Dimensions



## Specification Information

### Step 1.

RT  A

### Step 2. Backrest Option

L no backrest  A

LB backrest  A

### Step 3. Width/Table

#### For no backrest (L)

- 2T 70<sup>1</sup>/<sub>8</sub>" wide; 1 table  A
- 3T 92<sup>1</sup>/<sub>2</sub>" wide; 1 table  A
- 4T 115<sup>3</sup>/<sub>4</sub>" wide; 1 table  A
- 2T2 92<sup>1</sup>/<sub>2</sub>" wide; 2 tables  A
- 3T2 115<sup>3</sup>/<sub>4</sub>" wide; 2 tables  A
- 4T2 137<sup>3</sup>/<sub>4</sub>" wide; 2 tables  A

#### For backrest (LB)

- 2TL 70<sup>1</sup>/<sub>8</sub>" wide; 1 table left  A
- 3TL 92<sup>1</sup>/<sub>2</sub>" wide; 1 table left  A
- 4TL 115<sup>3</sup>/<sub>4</sub>" wide; 1 table left  A
- 2TR 70<sup>1</sup>/<sub>8</sub>" wide; 1 table right  A
- 3TR 92<sup>1</sup>/<sub>2</sub>" wide; 1 table right  A
- 4TR 115<sup>3</sup>/<sub>4</sub>" wide; 1 table right  A
- 2T2 92<sup>1</sup>/<sub>2</sub>" wide; 2 tables  A
- 3T2 115<sup>3</sup>/<sub>4</sub>" wide; 2 tables  A
- 4T2 137<sup>3</sup>/<sub>4</sub>" wide; 2 tables  A

### Prices for Steps 1-3.

RTL2T	\$3862
RTL3T	\$4532
RTL4T	\$5139
RTL2T2	\$4686
RTL3T2	\$5267
RTL4T2	\$5950
RTLB2TL	\$5486
RTLB3TL	\$6522
RTLB4TL	\$7758
RTLB2TR	\$5486
RTLB3TR	\$6522
RTLB4TR	\$7758
RTLB2T2	\$6231
RTLB3T2	\$7291
RTLB4T2	\$9244

Step 4. Bench Finish

		2T	2TL	2TR	2T2	3T
96	chalk white <input type="checkbox"/>	+\$0	0	0	0	0
CI	tomato red <input type="checkbox"/>	+\$0	0	0	0	0
II	coral red <input type="checkbox"/>	+\$0	0	0	0	0
MI	gentian blue <input type="checkbox"/>	+\$0	0	0	0	0
NI	night blue <input type="checkbox"/>	+\$0	0	0	0	0
RI	distant blue <input type="checkbox"/>	+\$0	0	0	0	0
TI	pastel blue <input type="checkbox"/>	+\$0	0	0	0	0
VI	reseda green <input type="checkbox"/>	+\$0	0	0	0	0
XI	pale green <input type="checkbox"/>	+\$0	0	0	0	0
YI	jet black <input type="checkbox"/>	+\$0	0	0	0	0
ZI	graphite black <input type="checkbox"/>	+\$0	0	0	0	0
83	cherrywood <input type="checkbox"/>	+\$130	130	130	195	203
		<b>3TL</b>	<b>3TR</b>	<b>4T</b>	<b>4TL</b>	<b>4TR</b>
96	chalk white <input type="checkbox"/>	+\$0	0	0	0	0
CI	tomato red <input type="checkbox"/>	+\$0	0	0	0	0
II	coral red <input type="checkbox"/>	+\$0	0	0	0	0
MI	gentian blue <input type="checkbox"/>	+\$0	0	0	0	0
NI	night blue <input type="checkbox"/>	+\$0	0	0	0	0
RI	distant blue <input type="checkbox"/>	+\$0	0	0	0	0
TI	pastel blue <input type="checkbox"/>	+\$0	0	0	0	0
VI	reseda green <input type="checkbox"/>	+\$0	0	0	0	0
XI	pale green <input type="checkbox"/>	+\$0	0	0	0	0
YI	jet black <input type="checkbox"/>	+\$0	0	0	0	0
ZI	graphite black <input type="checkbox"/>	+\$0	0	0	0	0
83	cherrywood <input type="checkbox"/>	+\$203	203	203	203	203
				<b>3T3</b>	<b>4T2</b>	
96	chalk white <input type="checkbox"/>			+\$0	0	
CI	tomato red <input type="checkbox"/>			+\$0	0	
II	coral red <input type="checkbox"/>			+\$0	0	
MI	gentian blue <input type="checkbox"/>			+\$0	0	
NI	night blue <input type="checkbox"/>			+\$0	0	
RI	distant blue <input type="checkbox"/>			+\$0	0	
TI	pastel blue <input type="checkbox"/>			+\$0	0	
VI	reseda green <input type="checkbox"/>			+\$0	0	
XI	pale green <input type="checkbox"/>			+\$0	0	
YI	jet black <input type="checkbox"/>			+\$0	0	
ZI	graphite black <input type="checkbox"/>			+\$0	0	
83	cherrywood <input type="checkbox"/>			+\$304	304	


Step 5. Table Finish

		2T	2TL	2TR	2T2	3T
96	chalk white <input type="checkbox"/>	+\$0	0	0	0	0
CI	tomato red <input type="checkbox"/>	+\$0	0	0	0	0
II	coral red <input type="checkbox"/>	+\$0	0	0	0	0
MI	gentian blue <input type="checkbox"/>	+\$0	0	0	0	0
NI	night blue <input type="checkbox"/>	+\$0	0	0	0	0
RI	distant blue <input type="checkbox"/>	+\$0	0	0	0	0
TI	pastel blue <input type="checkbox"/>	+\$0	0	0	0	0
VI	reseda green <input type="checkbox"/>	+\$0	0	0	0	0
XI	pale green <input type="checkbox"/>	+\$0	0	0	0	0
YI	jet black <input type="checkbox"/>	+\$0	0	0	0	0
ZI	graphite black <input type="checkbox"/>	+\$0	0	0	0	0
83	cherrywood <input type="checkbox"/>	+\$65	65	65	98	101
		<b>3TL</b>	<b>3TR</b>	<b>4T</b>	<b>4TL</b>	<b>4TR</b>
96	chalk white <input type="checkbox"/>	+\$0	0	0	0	0
CI	tomato red <input type="checkbox"/>	+\$0	0	0	0	0
II	coral red <input type="checkbox"/>	+\$0	0	0	0	0
MI	gentian blue <input type="checkbox"/>	+\$0	0	0	0	0
NI	night blue <input type="checkbox"/>	+\$0	0	0	0	0
RI	distant blue <input type="checkbox"/>	+\$0	0	0	0	0
TI	pastel blue <input type="checkbox"/>	+\$0	0	0	0	0
VI	reseda green <input type="checkbox"/>	+\$0	0	0	0	0
XI	pale green <input type="checkbox"/>	+\$0	0	0	0	0
YI	jet black <input type="checkbox"/>	+\$0	0	0	0	0
ZI	graphite black <input type="checkbox"/>	+\$0	0	0	0	0
83	cherrywood <input type="checkbox"/>	+\$101	101	101	101	101
					<b>3T2</b>	<b>4T2</b>
96	chalk white <input type="checkbox"/>				+\$0	0
CI	tomato red <input type="checkbox"/>				+\$0	0
II	coral red <input type="checkbox"/>				+\$0	0
MI	gentian blue <input type="checkbox"/>				+\$0	0
NI	night blue <input type="checkbox"/>				+\$0	0
RI	distant blue <input type="checkbox"/>				+\$0	0
TI	pastel blue <input type="checkbox"/>				+\$0	0
VI	reseda green <input type="checkbox"/>				+\$0	0
XI	pale green <input type="checkbox"/>				+\$0	0
YI	jet black <input type="checkbox"/>				+\$0	0
ZI	graphite black <input type="checkbox"/>				+\$0	0
83	cherrywood <input type="checkbox"/>				+\$152	152

For more information about our products and services or to see a list of dealers, please visit us at [www.HermanMiller.com](http://www.HermanMiller.com) or call (800) 851 1196.

This book is recyclable. Printed in U.S.A. on recycled paper.

© 2008 Herman Miller, Inc., Zeeland, Michigan

© HermanMiller, , Abak, Action Office, Aeron, Ambi, Aside, Avive, Babble, Caper, Celle, Co/Struc, DOT, Eames, Equa 2, Ergon 3, Ethospace, Fine-Tune, FlexFront, Formcoat, Ground Cloth, Herman Miller for Healthcare, Herman Miller Options, Intersect, Kinemat, Leaf, Limerick, Meridian, Mirra, Passage, Pedastool, Pellicle, Perspectives, PostureFit, Prospects, Quadrant, Reaction, Resolve, RoomTune, Scooter, V-Wall, Vary Easy, Vivo, and Z-Axis are among the registered trademarks of Herman Miller, Inc., and its owned subsidiaries.

™ About Face, AireWeave, Airia, Ardea, Arrio, Boomerang, Bubbletack, Burdick Group, C2, Celeste, Cellular Suspension, CLT, CoActive, Cognita, Compass, Cygnus, Enchord, EnhancedAccess, E-Wall, Flex-Edge, Harmonic, Herman Miller for the Home, Hopsak 2, Herman Miller International Collection, Iota, Keyless Entry, Latitude, Lifework, Multiscrim, My Studio Environments, Nelson, Q, Rapunzel, Recline Selector, Sense, Stackable, Stackable Storage, Stoa, Teneo, The Be Collection, TriFlex, and Tu are among the trademarks of Herman Miller, Inc., and its owned subsidiaries.

SM TAP and Textile Alliance Program are among the service marks of Herman Miller, Inc.

Chemsurf is a registered trademark of Wilsonart International.

Corian is a registered trademark of DuPont.

FLEXNET is a trademark of Milliken & Co.

Floor Saver Glide™ is a trademark of Carpin Manufacturing Inc.

Geiger is a registered trademark of Geiger International.

Goetz is a trademark of Mark W. Goetz.

Hang-It-All is a registered trademark of Lucia Eames Demetrios, d.b.a. Eames Office.

Holophane is a registered trademark of Holophane.

Ingeo is a trademark of Cargill Dow LLC.

Microsoft and Natural Keyboard are registered trademarks of Microsoft Corporation.

Qt Quiet technology and Qt are trademarks of Cambridge Sound Management, Inc.