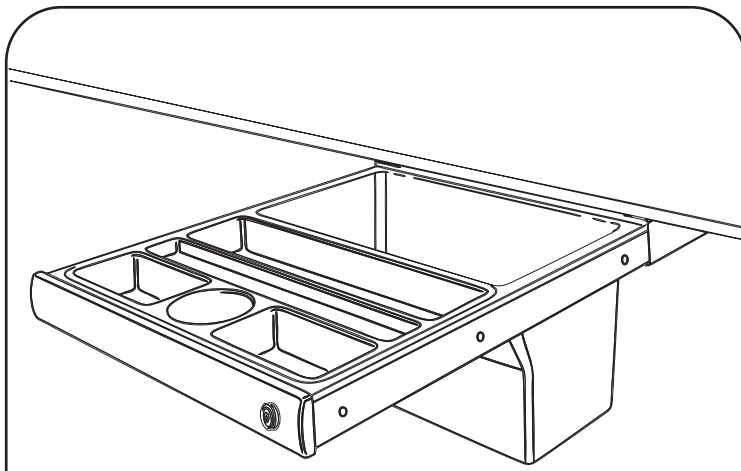


Pelican Drawer Installation



The adjustable Mounting Clamp fits all pelican Drawers.
Inner pin-holes fit Pelican drawers
Outer pin-hole settings fit Pelican II and Pelican III Drawers

Step 1

Slide Mounting Clamp onto drawer from rear.
Do not unlock drawer or extend suspension rails.

Step 2 & 3

Slide Mounting Clamp bearing Pelican Drawer over desk top until edge of clamp touches edge of desk top. Turn clamping screw until suspension rails touch underside of top. Do not tighten.

Step 4 & 5

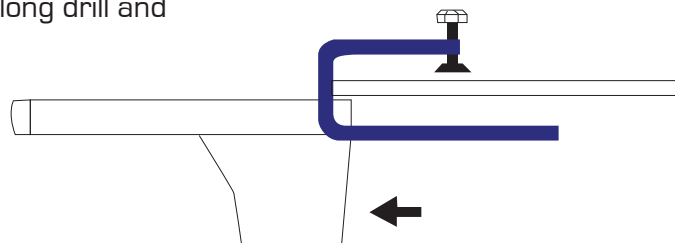
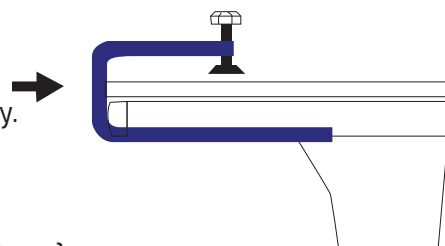
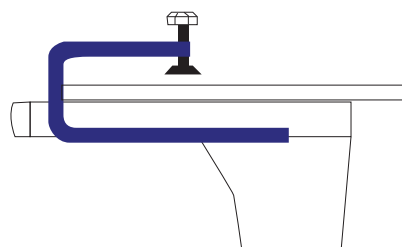
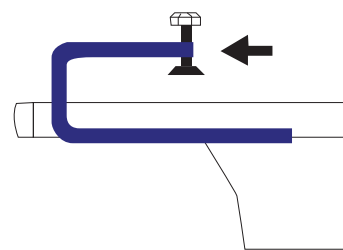
Push drawer face to position drawer until flush with edge of desk top. Tighten clamping screw firmly.

Step 6

Unlock drawer, then open and close to confirm smooth operation. Extend drawer fully. Drill $1/8$ " (3mm) pilot holes and inert screws straight. Use long drill and driver bits provided with mounting clamp.

Step 7

Loosen and remove mounting clamp.



SpaceCo, Inc.
800.840.8499
www.spaceco.com