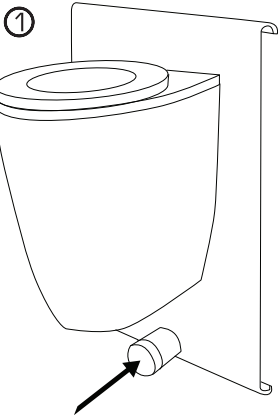


Slat Wall Mount

Required Tools:
5mm Allen wrench



Contents:

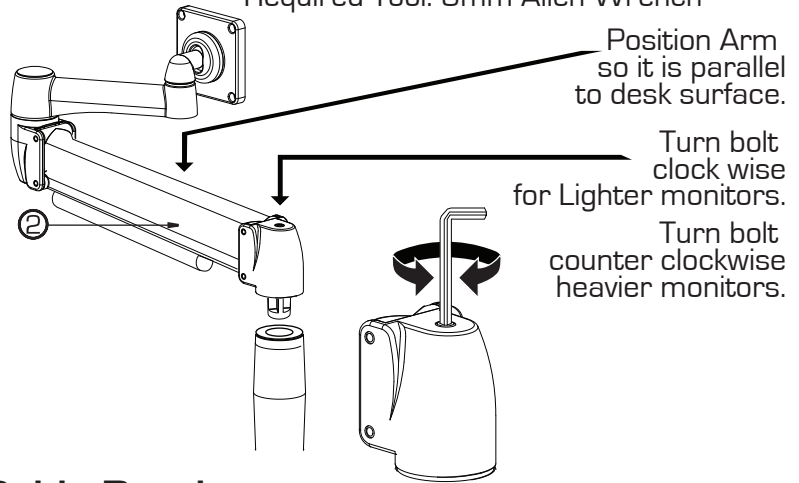
#	QTY	Name
1	1	Slat Wall Hub
2	1	Arm
3	1	Adapter Plate
4	4	Adapter Plate Screw
4	4	Monitor Screw

Important:
Make sure plunger is fully depressed after installed.



Adjusting Counter Balance

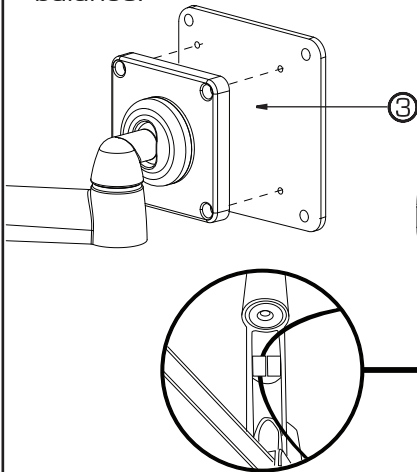
*Required Tool: 5mm Allen Wrench



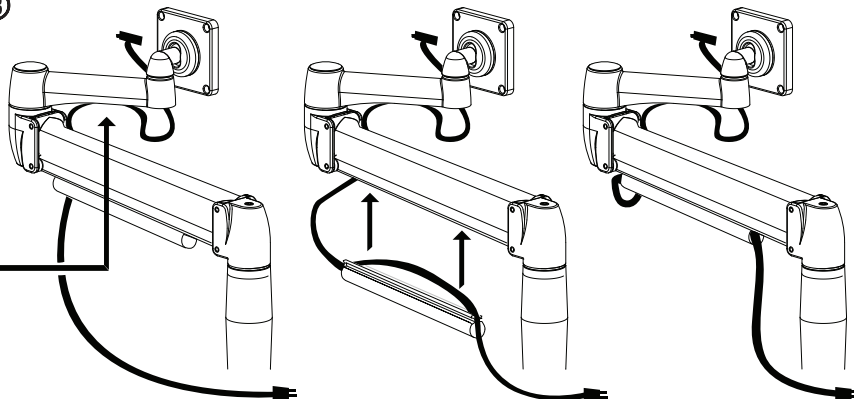
Instructions

Adapter Plate

Standard Arm Mount: 75mm
Adapter Plate: 100mm
*Attach adapter Plate to arm if needed.
*Lay Monitor face down and attach SpaceArm to Monitor.
*Place SpaceArm and monitor into hub and adjust counter balance.



Cable Routing



SpaceCo, Inc.
800.840.8499
www.spaceco.com