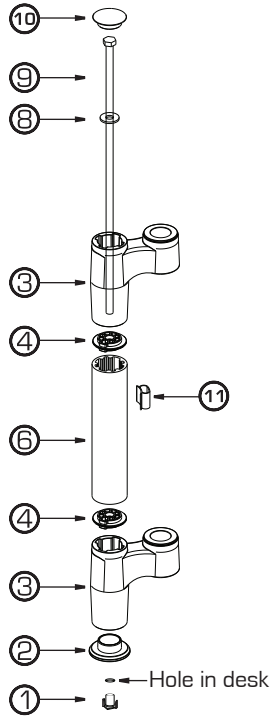


SA11BT

SpaceArm Bolt Through Mount



Required Tools:
17 mm socket and extension
5mm Allen wrench

Contents:

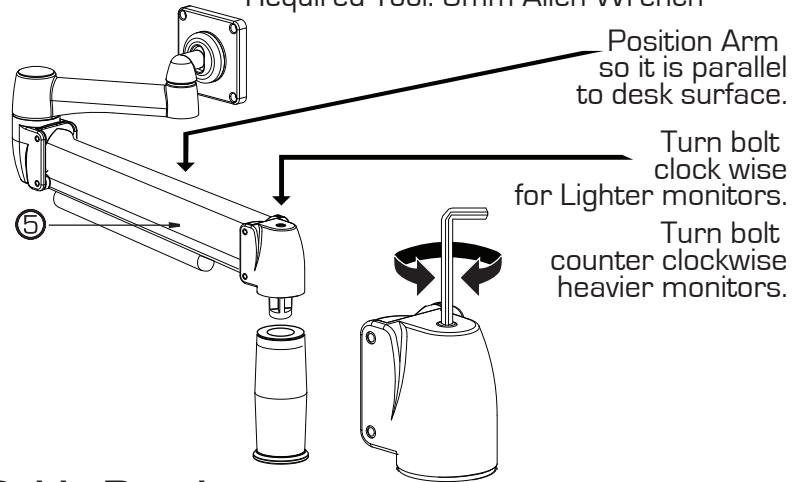
#	QTY	Name
1	1	T-Nut
2	1	Base Plate
3	2	Single Hub
4	2	Stacking Spacer
5	2	Arm
6	1	8.5" Spacer
7	2	Adapter Plate
8	1	Washer
9	1	*441mm Bolt
10	1	Base Cap
11	1	Column Cable Clip
8	8	Adapter Plate screw
8	8	Monitor screw

* Located in bottom of box



Adjusting Counter Balance

* Required Tool: 5mm Allen Wrench

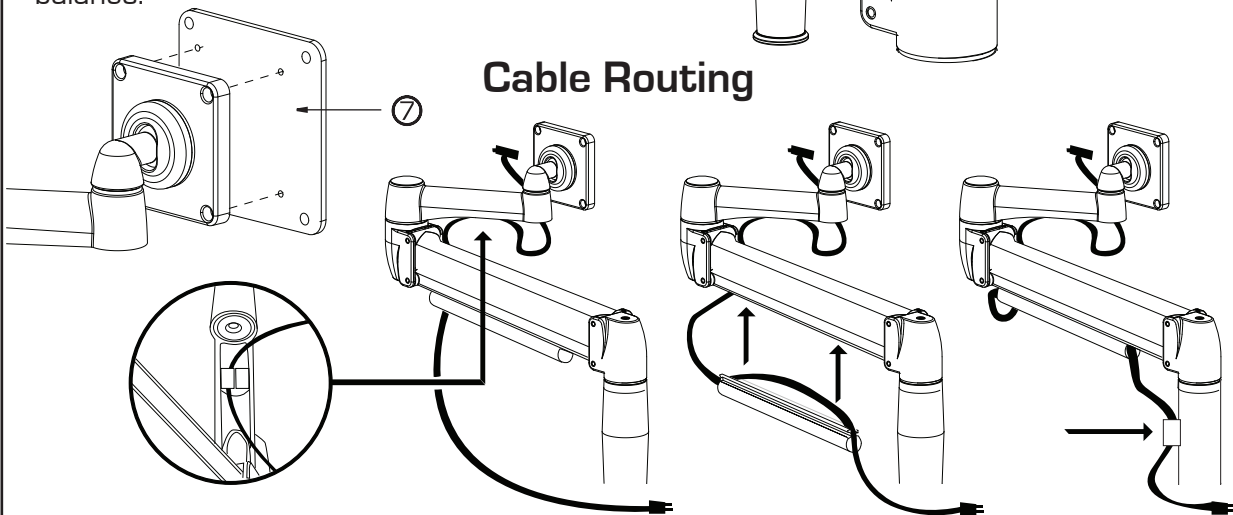


Instructions

Adapter Plate

Standard Arm Mount: 75mm
Adapter Plate: 100mm
* Attach adapter Plate to arm if needed.
* Lay Monitor face down and attach SpaceArm to Monitor.
* Place SpaceArm and monitor into hub and adjust counter balance.

Cable Routing



SpaceCo, Inc.
800.840.8499
www.spaceco.com