

SA01BT

SpaceArm Bolt Through Mount

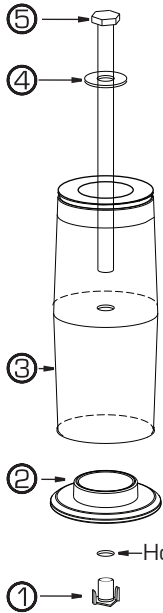
Required Tools:

17 mm socket and extension
5mm Allen wrench

Contents:

#	QTY	Name
1	1	T-Nut
2	1	Base Plate
3	1	Single Spacer
4	1	Washer
5	1	*Mounting Bolt
6	1	Arm
7	1	Adapter Plate
4	4	Adapter Plate Screw
4	4	Monitor Screw

* Located in bottom of box

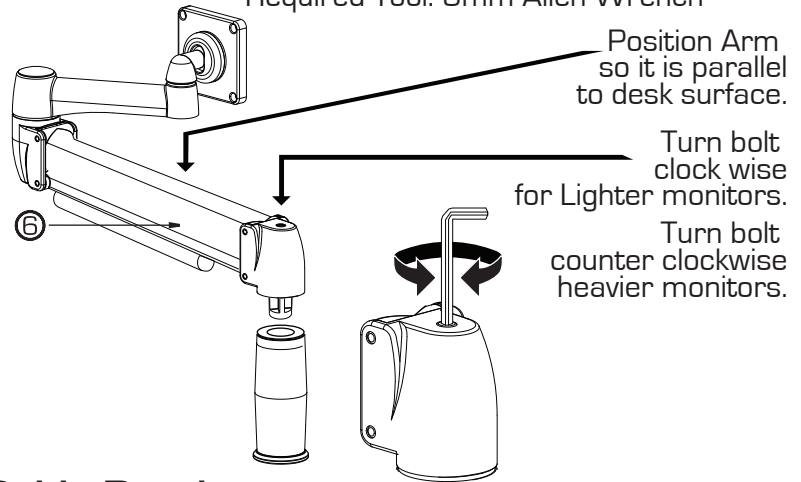


○ ← Hole in desk



Adjusting Counter Balance

* Required Tool: 5mm Allen Wrench

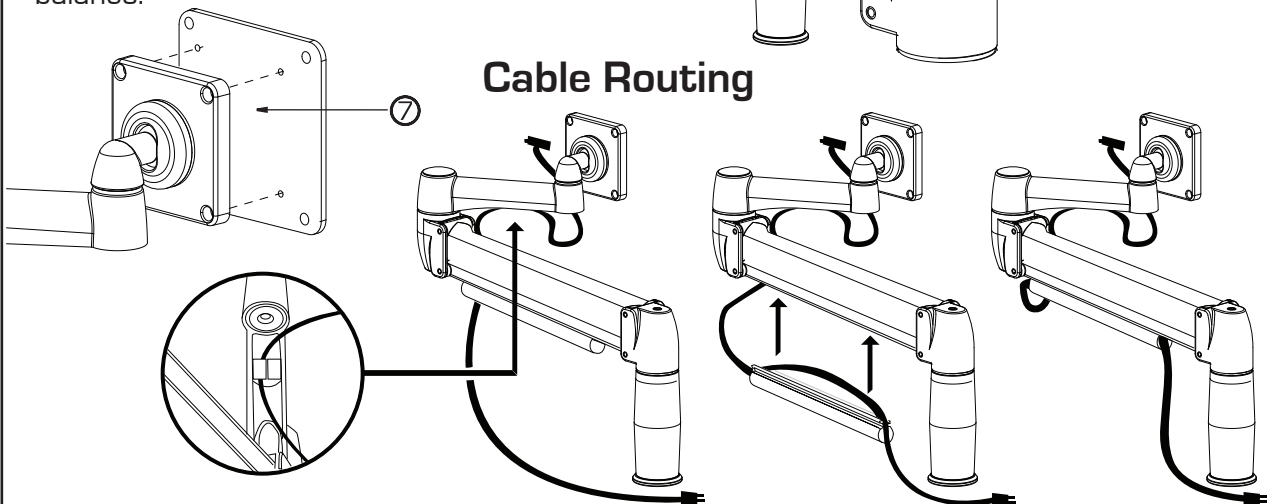


Instructions

Adapter Plate

Standard Arm Mount: 75mm
Adapter Plate: 100mm
* Attach adapter Plate to arm if needed.
* Lay Monitor face down and attach SpaceArm to Monitor.
* Place SpaceArm and monitor into hub and adjust counter balance.

Cable Routing



SpaceCo, Inc.
800.840.8499
www.spaceco.com