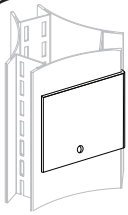
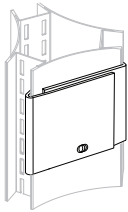


# Resolve Bracket

\* Required Tool: 5mm Allen Wrench



Insert right plate.  
Tap down to lock in place



Insert left plate.  
Tap down to lock in place



Place Hub over top edges.  
Tap down.

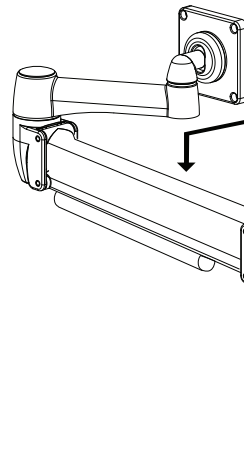


Insert bolt and tighten  
with 5mm Allen wrench.



## Adjusting Counter Balance

\* Required Tool: 5mm Allen Wrench



Position Arm  
so it is parallel  
to desk surface.

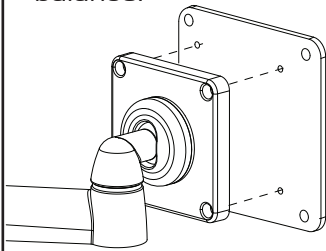
Turn bolt  
clock wise  
for Lighter  
monitors.

Turn bolt  
counter clockwise  
heavier  
monitors.

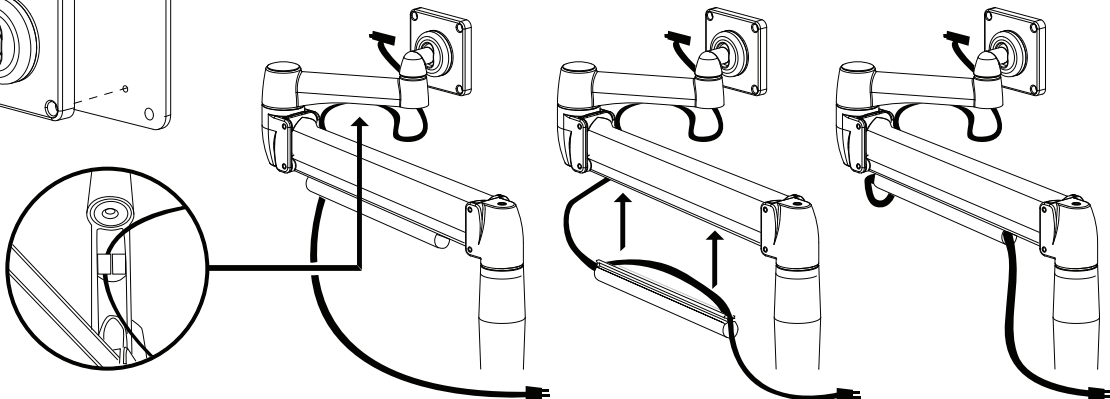
# Instructions

## Adapter Plate

- Standard Arm Mount: 75mm
- Adapter Plate: 100mm
- \* Attach adapter Plate to arm if needed.
- \* Lay Monitor face down and attach SpaceArm to Monitor.
- \* Place SpaceArm and monitor into hub and adjust counter balance.



## Cable Routing



SpaceCo, Inc.  
800.840.8499  
www.spaceco.com