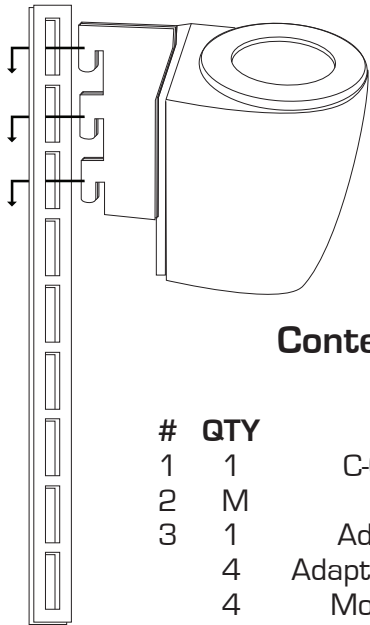


# Panel Mount

\*Tap Down with Mallet



**Required Tools:**  
5mm Allen wrench  
Mallet

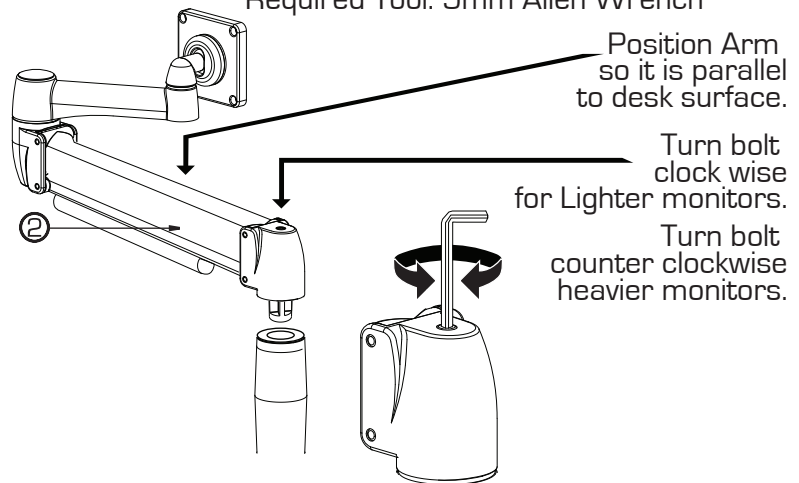
**Contents:**

#	QTY	Name
1	1	C-Clamp Hub
2	M	Arm
3	1	Adapter Plate
4	4	Adapter Plate Screw
4	4	Monitor Screw



## Adjusting Counter Balance

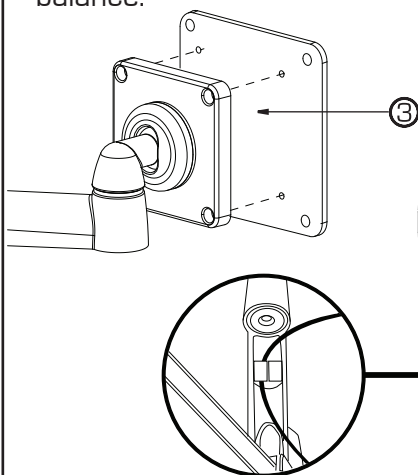
\*Required Tool: 5mm Allen Wrench



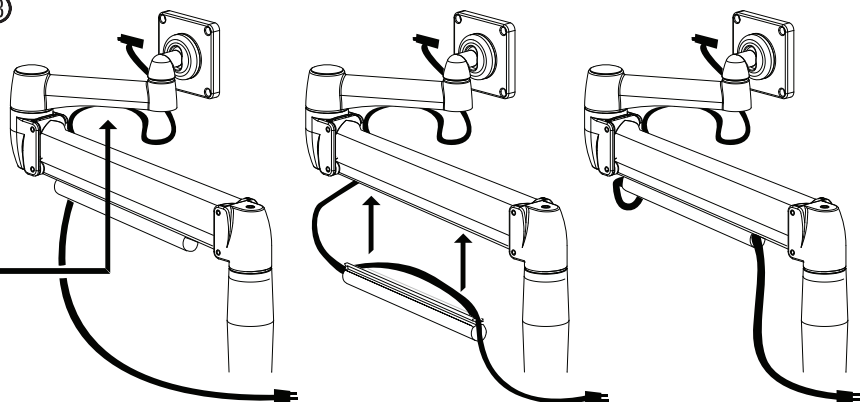
# Instructions

## Adapter Plate

Standard Arm Mount: 75mm  
Adapter Plate: 100mm  
\* Attach adapter Plate to arm if needed.  
\* Lay Monitor face down and attach SpaceArm to Monitor.  
\* Place SpaceArm and monitor into hub and adjust counter balance.



## Cable Routing



**SpaceCo, Inc.**  
800.840.8499  
www.spaceco.com